

Datasheet

Capacitive Level Meter **CL200**

Introduction

CL200 contains a transmitter and a probe. The probe electrical capacity depends on the medium level, the changes of medium level affect the electrical capacity of the probe, which can be obtained and show on display as medium level. With a compact design, CL200 can be used in a wide range of applications, like food and beverage, chemical processing, pharmaceutical industry and more.



Characteristics

Probe: rod or rope

Easy to install in tanks, vessels, silos

Easy to use with LED display

Flange or thread connection

High temperature version available

Coated probe

Applications

Liquids / Bulk solids

Food and beverage

Chemical processing

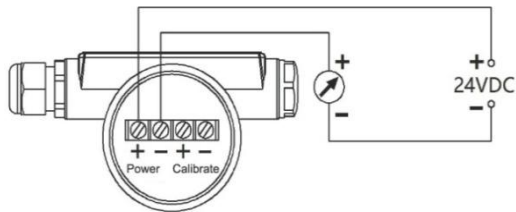
Pharmaceutical industry

.....

Specifications

| | |
|-----------------------------------|-------------------------------------|
| Measuring range | Rod: 0...2m |
| | Rope: 0...20m |
| Power supply | 24 VDC |
| Medium temperature | -40...200' |
| Ambient temperature | -40...80 |
| Process pressure | -0.1...1 Mpa |
| Signal output | 4...20mA / HART |
| Linearity | 0.5% of full span |
| Max. load | 600Ω, 24VDC |
| Response time | 2s by default. 0.5...30s adjustable |
| Transmitter house material | Transmitter house Aluminum |
| Probe | Stainless steel 316 |
| | PFA coated stainless steel 316 |
| Electrical connection | M20 x 1.5 |
| | NPT1/2 |
| Process connection | Thread NPT1 |
| | Flange DN50 |
| Protection class | IP65 |

Wiring



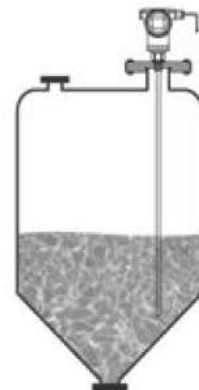
Mounting considerations



Mount Bracket



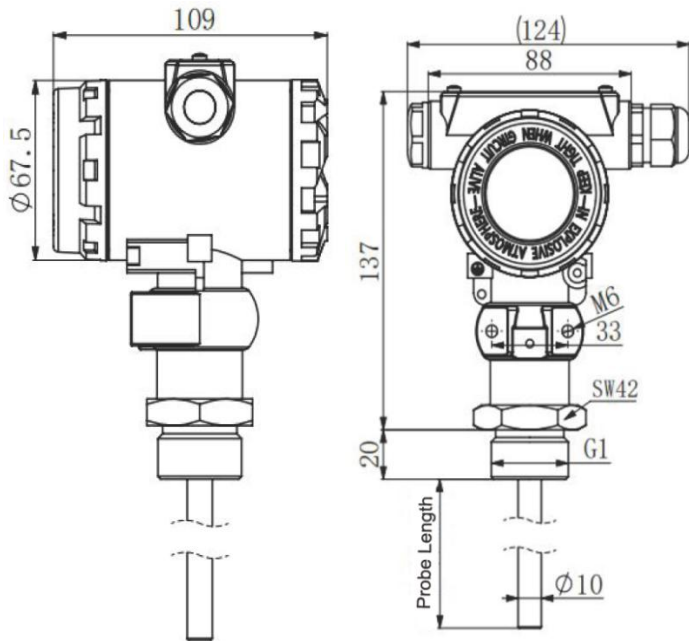
Thread connection



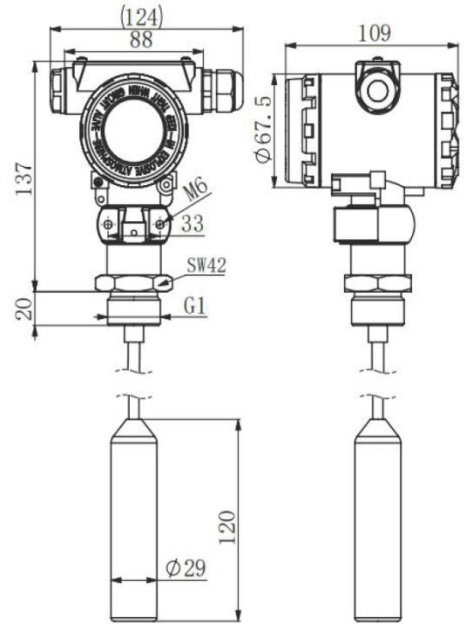
Flange connection

Dimensions in mm

Standard

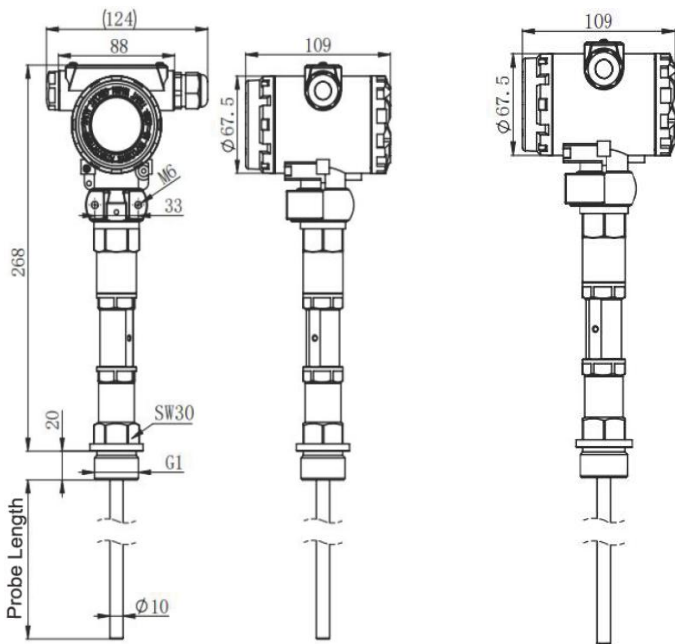


Rod Probe

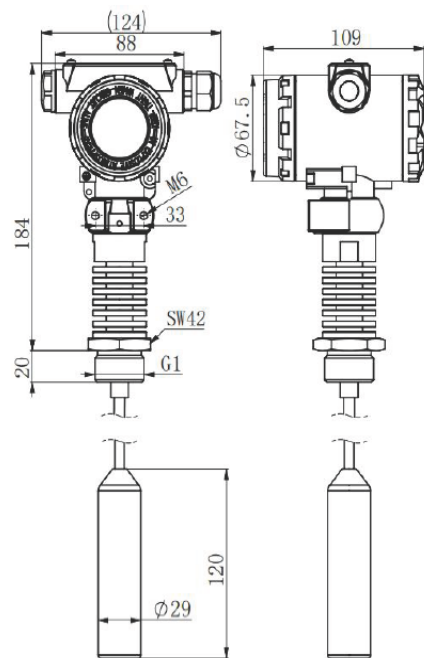


Rope Probe

High temperature version



Rod Probe



Rope Probe

Order Code

Example: CL200-1F25AM500P

1. CL200-

CL200- Capacitive level meter

2. Probe

- | | |
|---|-----------------|
| 1 | Rod |
| 2 | Rod coated PFA |
| 3 | Rope |
| 4 | Rope coated PFA |

3. Process connection

- | | |
|------|--------------|
| C15 | Clamp 1.5" |
| C20 | Clamp 2" |
| N1 | NPT1 |
| F25 | Flange DN25 |
| F50 | Flange DN50 |
| F80 | Flange DN80 |
| F100 | Flange DN100 |
| F150 | Flange DN150 |

4. Output

- | | |
|---|------------------|
| A | 4-20mA |
| H | 4-20mA with HART |

5. Electrical connection

- | | |
|---|-----------|
| M | M20 x 1.5 |
| N | NPT 1/2 |

6. Measuring range (mm)

- | | |
|-----|-------|
| 500 | 500mm |
|-----|-------|

7. High temperature

- | | |
|---|---------------------------------|
| P | Standard (-40...130 °C) |
| H | High temperature (-40...200 °C) |